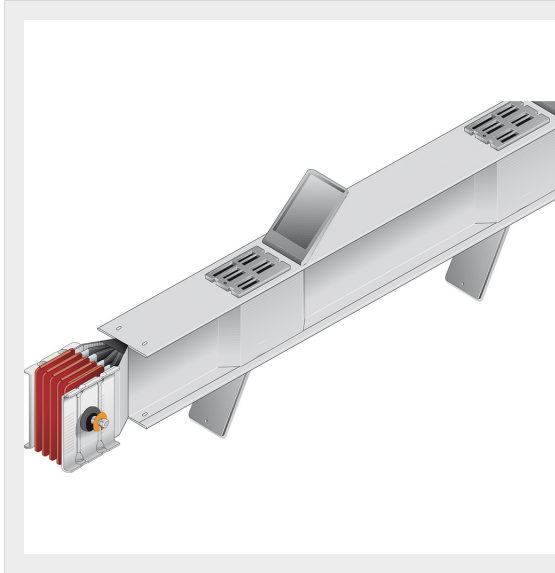




BTICINO > ZUCCHINI busbar > SCP Supercompact > Straight distribution elements




65280956P

Straight element for energy distribution SCP Cu - length 2,5-3m - In= 2000A

Technical features

Protection index	IP55
Length	2.5-3m
Standard reference	CEI EN 61439-6
N° of compartments	2+2
Rated voltage	1000V
Rated current	2000A
Series	SCP

Documentation

 [Busbar catalogue](#)