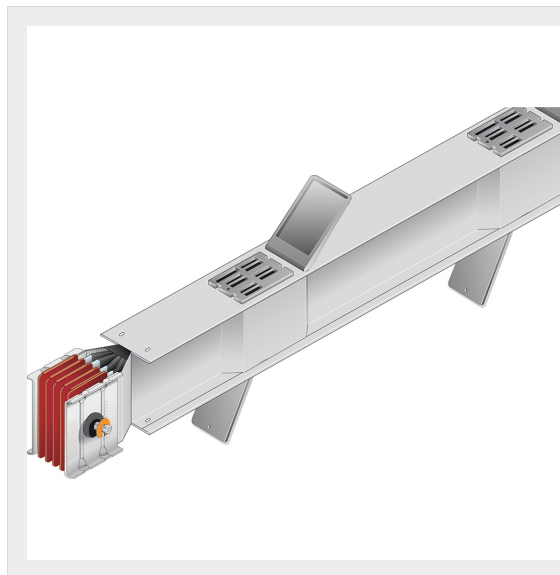


BTICINO > ZUCCHINI busbar > High power busbar > SCP Supercompact > Straight distribution elements

**65280928P**Straight element for energy distribution SCP Cu - length 1,5-2m -
In= 2500A

Technical features

Brand	BTicino
Standard reference	CEI EN 61439-6
Rated voltage	1000Vac
Rated current	2500A
Protection index	IP55
Length	1.5-2m
N° of compartments	2+2
Series	SCP

Documentation

 [Busbar catalogue](#)