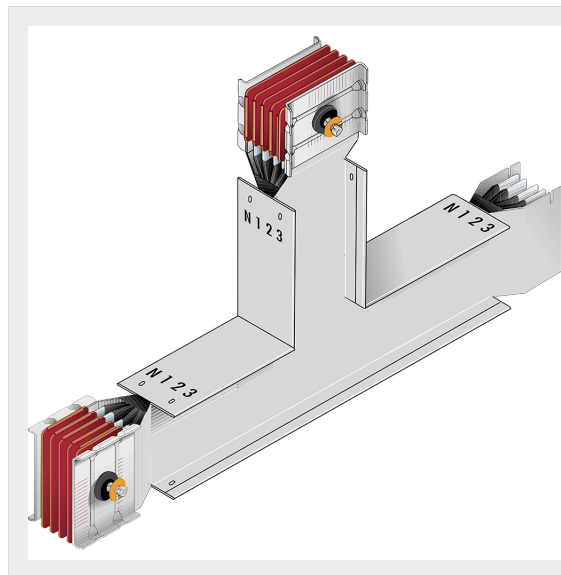


BTICINO &gt; ZUCCHINI busbar &gt; High power busbar &gt; SCP Supercompact &gt; Vertical T-elements

**65280826P**

Vertical T element SCP - Type 3 Cu - In= 2000A

## Technical features

Brand	BTicino
Standard reference	CEI EN 61439-6
Rated voltage	1000V
Rated current	2000A
Protection index	IP55
Series	SCP

## Documentation

 [Busbar catalogue](#)