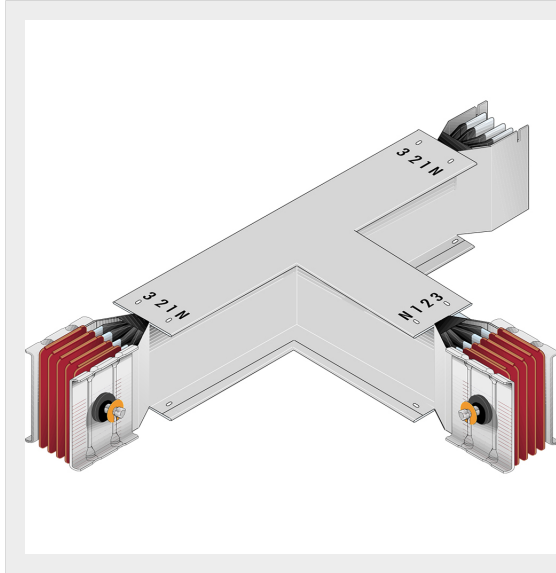


BTICINO > ZUCCHINI busbar > High power busbar > SCP Supercompact > Horizontal T-elements

**65280721P**

Horizontal T element SCP - Type 3 Cu - In= 1000A

Technical features

Brand	BTicino
Standard reference	CEI EN 61439-6
Rated voltage	1000V
Rated current	1000A
Protection index	IP55
Series	SCP

Documentation

 [Busbar catalogue](#)