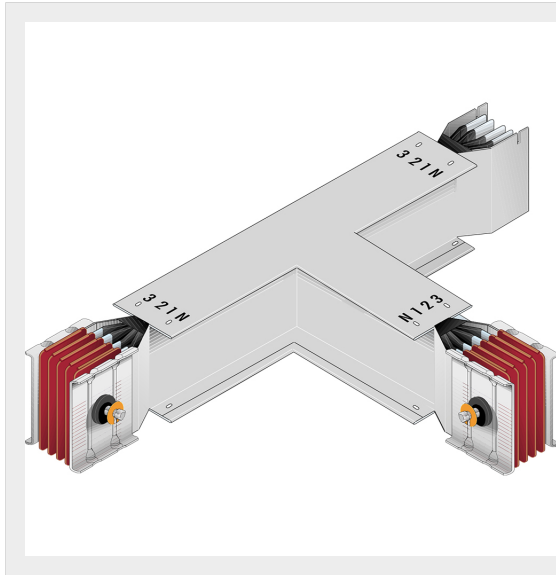


BTICINO > ZUCCHINI busbar > High power busbar > SCP Supercompact > Horizontal T-elements


**65280720P**

Horizontal T element SCP - Type 3 Cu - In= 800A

Technical features

Brand	BTicino
Standard reference	CEI EN 61439-6
Rated voltage	1000Va.c.
Rated current	800A
Protection index	IP55
Series	SCP

Documentation

 [Busbar catalogue](#)