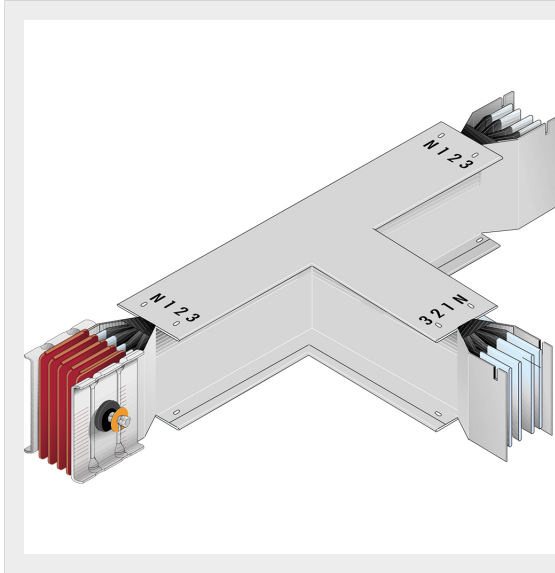




BTICINO > ZUCCHINI busbar > SCP Supercompact > Horizontal T-elements




65280701P

Horizontal T element SCP - Type 1 Cu - In= 1000A

## Technical features

Protection index	IP55
Standard reference	CEI EN 61439-6
Rated voltage	1000V
Rated current	1000A
Series	SCP

## Documentation

 [Busbar catalogue](#)