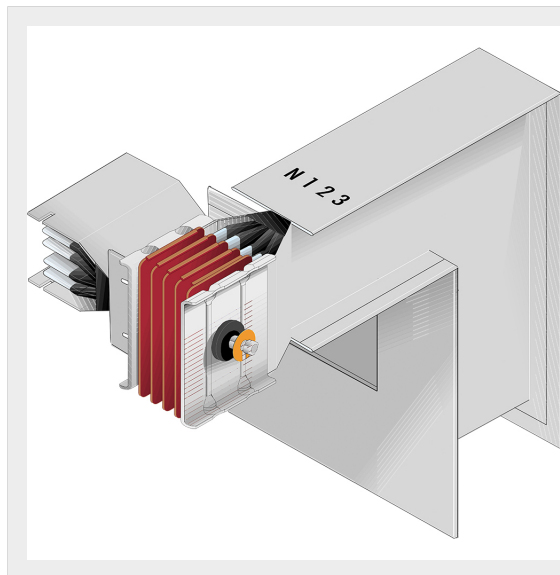


BTICINO > ZUCCHINI busbar > High power busbar > SCP Supercompact > Double vertical + horizontal elbows

**65280515P**

Double vertical + horizontal elbows SCP - Type 2 Cu - In= 1600A

Technical features

Brand	BTicino
Standard reference	CEI EN 61439-6
Rated voltage	1000Vac
Rated current	1600A
Protection index	IP55
Series	SCP

Documentation

 [Busbar catalogue](#)