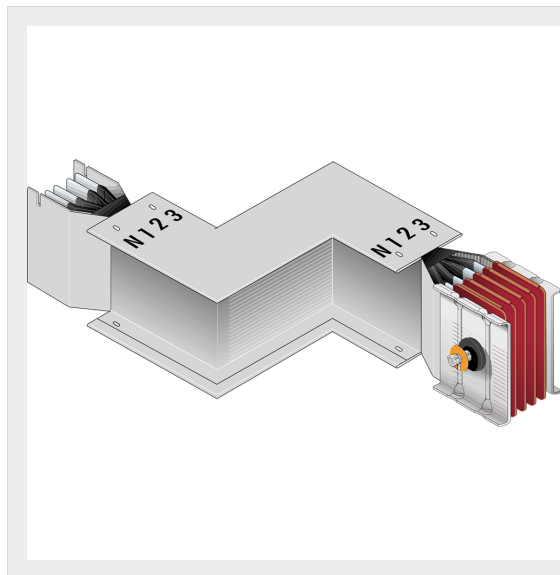


BTICINO > ZUCCHINI busbar > High power busbar > SCP Supercompact > Double horizontal elbows

**65280351P**

Double horizontal elbow (left) SCP - Type 2 Cu - In= 1000A

Technical features

Brand	BTicino
Standard reference	CEI EN 61439-6
Rated voltage	1000Va.c.
Rated current	1000A
Protection index	IP55
Series	SCP

Documentation

 [Busbar catalogue](#)