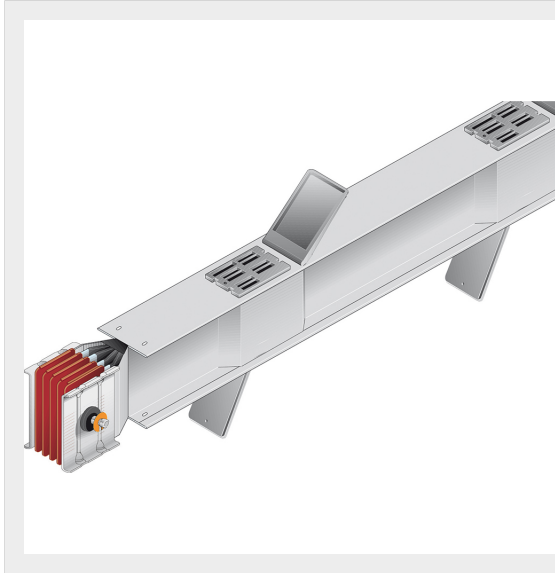


BTICINO &gt; ZUCCHINI busbar &gt; High power busbar &gt; SCP Supercompact &gt; Straight distribution elements

**65280136P**

Straight element for energy distribution SCP Cu - length 3m - In=2000A

## Technical features

|                    |                |
|--------------------|----------------|
| Brand              | BTicino        |
| Standard reference | CEI EN 61439-6 |
| Rated voltage      | 1000Va.c.      |
| Rated current      | 2000A          |
| Protection index   | IP55           |
| Length             | 3m             |
| N° of compartments | 3+3            |
| Series             | SCP            |

## Documentation

 [Busbar catalogue](#)