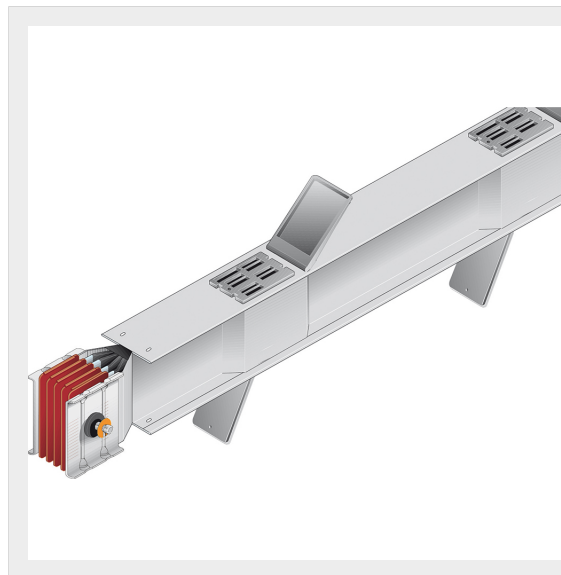


BTICINO > ZUCCHINI busbar > High power busbar > SCP Supercompact > Straight distribution elements

**65280131P**

Straight element for energy distribution SCP Cu - length 3m - In=1000A

Technical features

Brand	BTicino
Standard reference	CEI EN 61439-6
Rated voltage	1000V
Rated current	1000A
Protection index	IP55
Length	3m
N° of compartments	3+3
Series	SCP

Documentation

 [Busbar catalogue](#)