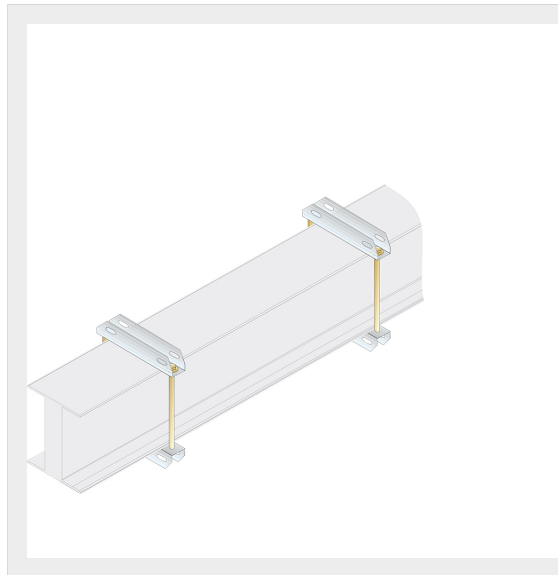




BTICINO &gt; ZUCCHINI busbar &gt; SCP Supercompact &gt; Brackets



65222004

Suspension bracket for SCP - Installation in edgewise or flat - In=4000-5000A (Al/Cu)

## Technical features

|                    |                |
|--------------------|----------------|
| Protection index   | IP55           |
| Standard reference | CEI EN 61439-6 |
| Rated voltage      | 1000V          |
| Rated current      | 4000-5000A     |
| Series             | SCP            |

## Documentation

 [Busbar catalogue](#)