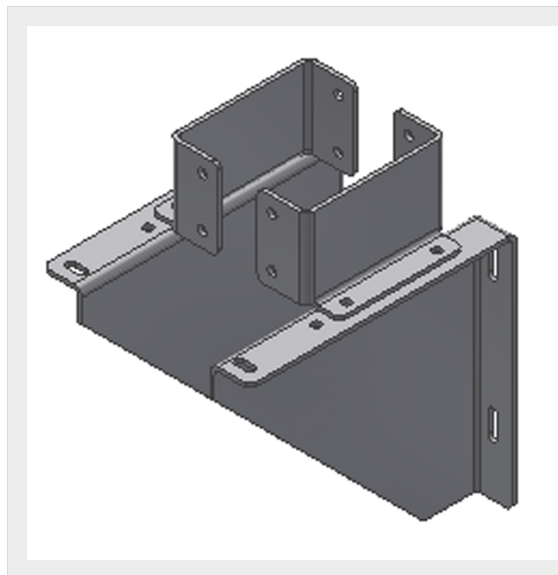




BTICINO > ZUCCHINI busbar > SCP Supercompact > Brackets



65213722

Bracket with shelf for SCP - In= 1600-2000A (Al/Cu)

## Technical features

Protection index	IP55
Standard reference	CEI EN 61439-6
Rated voltage	1000V
Rated current	1600-2000A
Series	SCP

## Documentation

 [Busbar catalogue](#)