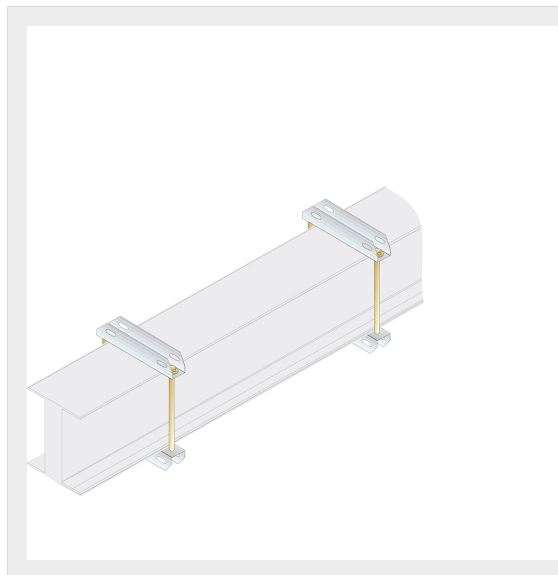




BTICINO > ZUCCHINI busbar > SCP Supercompact > Brackets



65202112

Suspension bracket for SCP - Installation in flat - In= 2500-3200A (Al-Cu)

Technical features

Protection index	IP55
Standard reference	CEI EN 61439-6
Rated current	2500-3200A
Series	SCP

Documentation

 [Busbar catalogue](#)