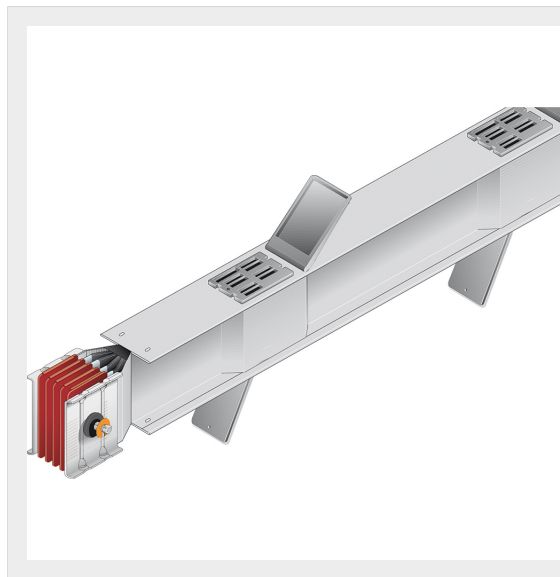


BTICINO > ZUCCHINI busbar > High power busbar > SCP Supercompact > Straight distribution elements

**60390974P**Straight element for energy distribution SCP AI - length 1-1,5m -
In= 2500A - double bar

Technical features

Brand	BTicino
Standard reference	CEI EN 61439-6
Rated voltage	1000Vac
Rated current	2500A
Protection index	IP55
Length	1-1.5m
N° of compartments	1+1
Series	SCP

Documentation

 [Busbar catalogue](#)