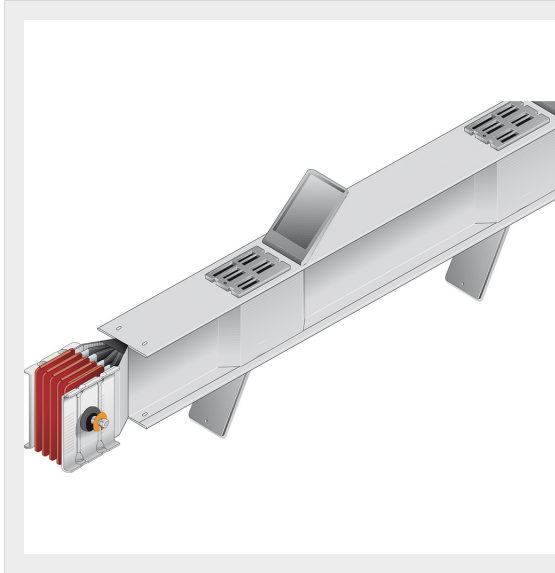




BTICINO > ZUCCHINI busbar > SCP Supercompact > Straight distribution elements




60390956P

Straight element for energy distribution SCP AI - length 2,5-3m -
In= 3200A - double bar

Technical features

Protection index	IP55
Length	2.5-3m
Standard reference	CEI EN 61439-6
N° of compartments	2+2
Rated voltage	1000V
Rated current	3200A
Series	SCP

Documentation

 [Busbar catalogue](#)