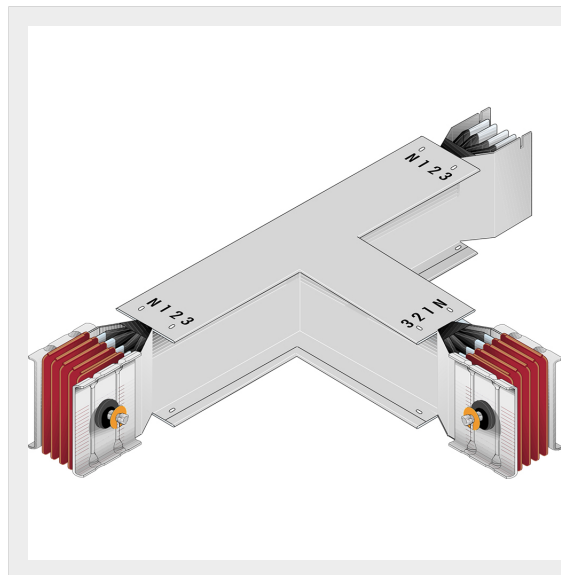


BTICINO > ZUCCHINI busbar > High power busbar > SCP Supercompact > Horizontal T-elements

**60390716P**

Horizontal T element SCP - Type 2 Al - In= 3200A - double bar

Technical features

Brand	BTicino
Standard reference	CEI EN 61439-6
Rated voltage	1000V
Rated current	3200A
Protection index	IP55
Series	SCP

Documentation

 [Busbar catalogue](#)