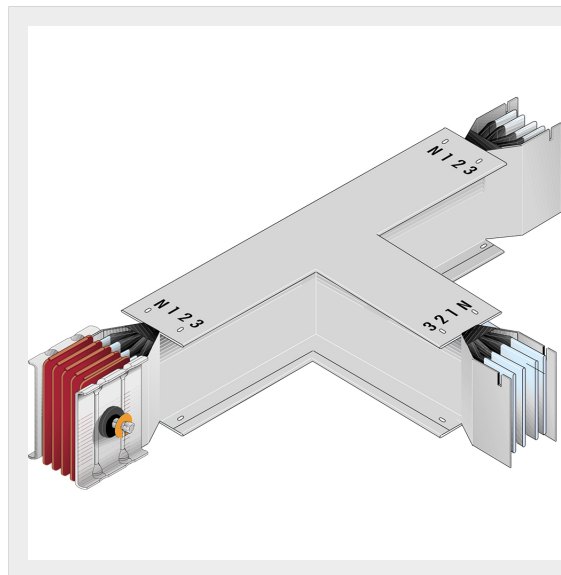


BTICINO > ZUCCHINI busbar > High power busbar > SCP Supercompact > Horizontal T-elements

**60390707P**

Horizontal T element SCP - Type 1 Al - In= 4000A - double bar

Technical features

Brand	BTicino
Standard reference	CEI EN 61439-6
Rated voltage	1000Vac
Rated current	4000A
Protection index	IP55
Series	SCP

Documentation

 [Busbar catalogue](#)