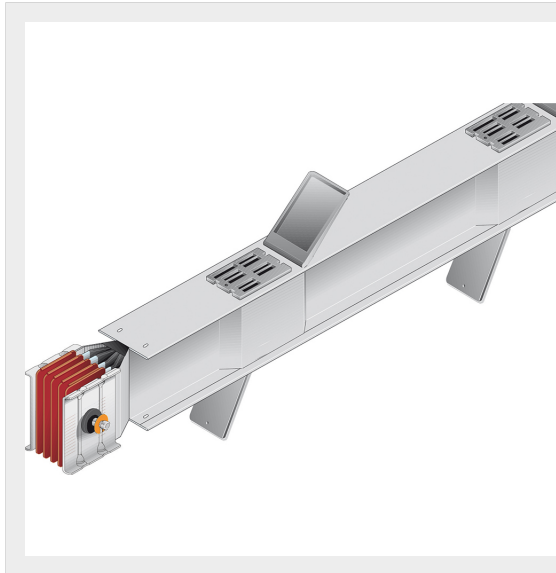


BTICINO &gt; ZUCCHINI busbar &gt; High power busbar &gt; SCP Supercompact &gt; Straight distribution elements


**60390137P**

Straight element for energy distribution SCP AI - length 3m - In=4000A - double bar

## Technical features

Brand	BTicino
Standard reference	CEI EN 61439-6
Rated voltage	1000V
Rated current	4000A
Protection index	IP55
Length	3m
N° of compartments	3+3
Series	SCP

## Documentation

 [Busbar catalogue](#)