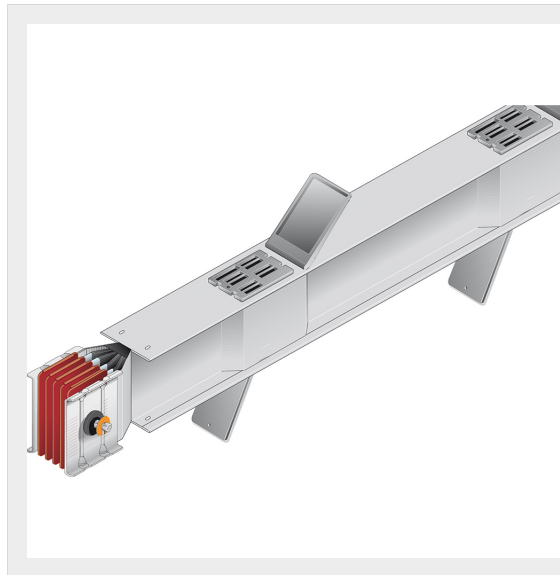


BTICINO > ZUCCHINI busbar > High power busbar > SCP Supercompact > Straight distribution elements


**60390134P**

Straight element for energy distribution SCP AI - length 3m - In=2500A - double bar

Technical features

Brand	BTicino
Standard reference	CEI EN 61439-6
Rated voltage	1000V
Rated current	2500A
Protection index	IP55
Length	3m
N° of compartments	3+3
Series	SCP

Documentation

 [Busbar catalogue](#)