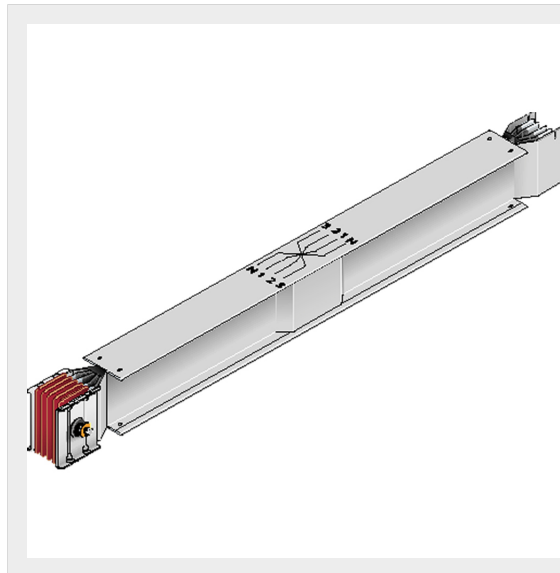




BTICINO > ZUCCHINI busbar > SCP Supercompact > Phase inversion straight elements



60287124P

Transposition straight element SCP AI - In= 1250A

## Technical features

Protection index	IP55
Standard reference	CEI EN 61439-6
Rated voltage	1000V
Rated current	1250A
Series	SCP

## Documentation

 [Busbar catalogue](#)