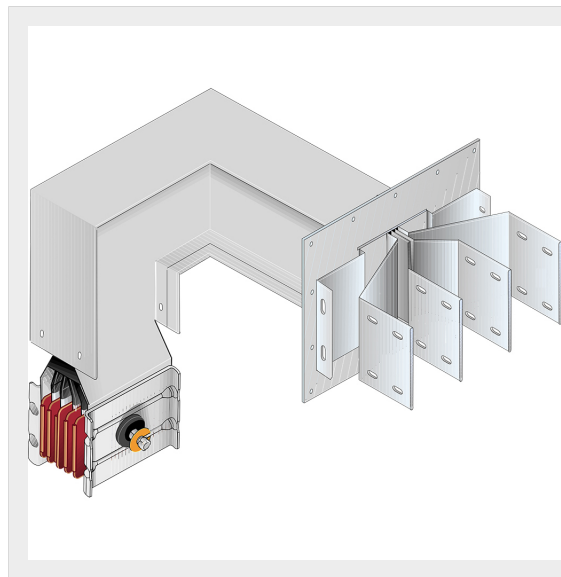




BTICINO > ZUCCHINI busbar > SCP Supercompact > Connection interface with horizontal + vertical elbow



60281657P

Busbar outlet element with horizontal + vertical elbow for busbar SCP - Type 6 AI - In= 2000A

Technical features

Protection index	IP55
Standard reference	CEI EN 61439-6
Rated voltage	1000V
Rated current	2000A
Series	SCP

Documentation

 [Busbar catalogue](#)