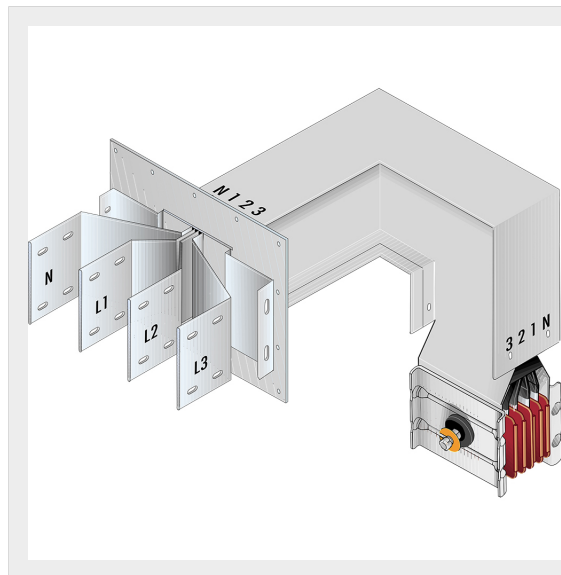




BTICINO > ZUCCHINI busbar > SCP Supercompact > Connection interface with horizontal + vertical elbow



60281642P

Busbar outlet element with horizontal + vertical elbow for busbar SCP - Type 5 AI - In= 1000A

Technical features

| | |
|--------------------|----------------|
| Protection index | IP55 |
| Standard reference | CEI EN 61439-6 |
| Rated voltage | 1000V |
| Rated current | 1000A |
| Series | SCP |

Documentation

 [Busbar catalogue](#)