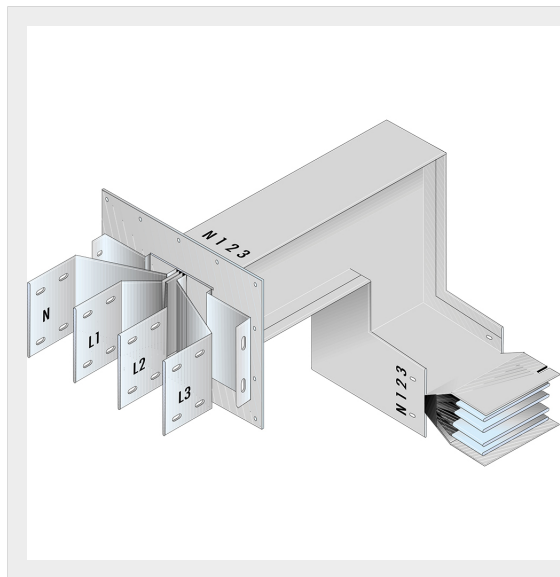


BTICINO > ZUCCHINI busbar > High power busbar > SCP Supercompact > Connection interface with vertical + horizontal elbow



60281504P

Busbar outlet element with vertical + horizontal elbow for busbar SCP - Type 1 AI - In= 1250A

Technical features

Brand	BTicino
Standard reference	CEI EN 61439-6
Rated voltage	1000Va.c.
Rated current	1250A
Protection index	IP55
Series	SCP

Documentation

 [Busbar catalogue](#)