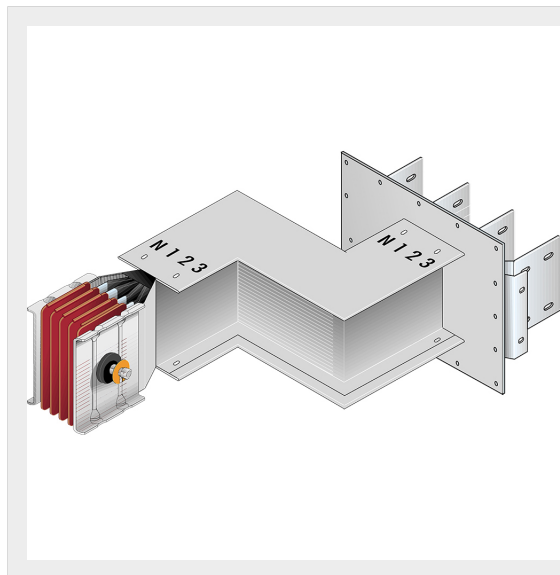


BTICINO &gt; ZUCCHINI busbar &gt; High power busbar &gt; SCP Supercompact &gt; Connection interface with double horizontal elbow

**60281361P**

Busbar outlet element with double horizontal elbow for busbar SCP - Type 3 AI - In= 800A

## Technical features

Brand	BTicino
Standard reference	CEI EN 61439-6
Rated voltage	1000V
Rated current	800A
Protection index	IP55
Series	SCP

## Documentation

 [Busbar catalogue](#)