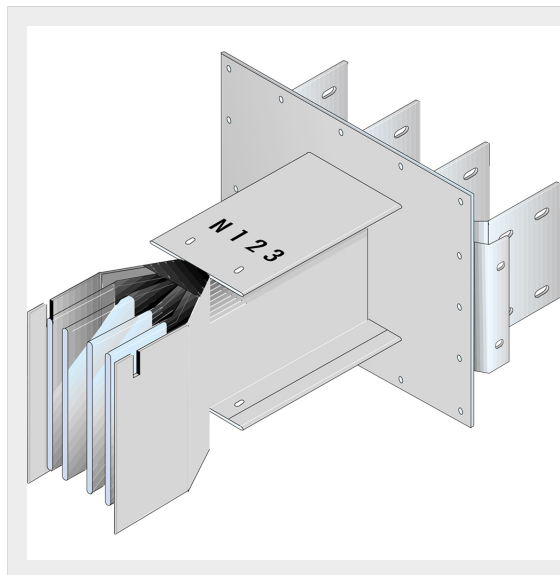


BTICINO &gt; ZUCCHINI busbar &gt; High power busbar &gt; SCP Supercompact &gt; Standard connection interface

**60281006P**

Busbar outlet element (right) for busbar SCP Type 2 - Standard AI - In= 1600A

## Technical features

Brand	BTicino
Standard reference	CEI EN 61439-6
Rated voltage	1000Vac
Rated current	1600A
Protection index	IP55
Series	SCP

## Documentation

 [Busbar catalogue](#)