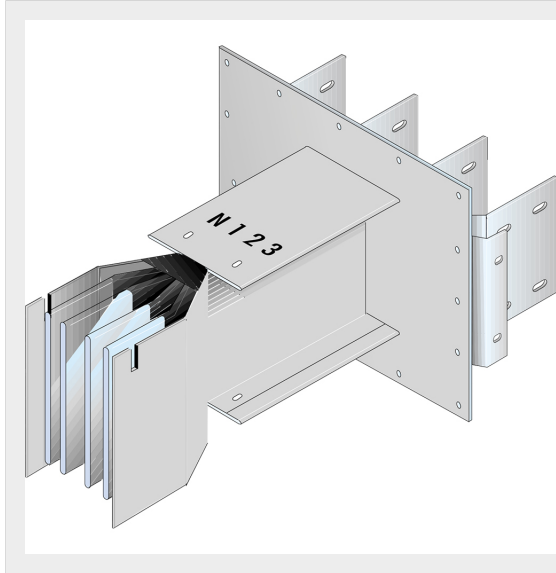


BTICINO > ZUCCHINI busbar > High power busbar > SCP Supercompact > Standard connection interface


**60281001P**

Busbar outlet element (right) for busbar SCP Type 2 - Standard AI - In= 800A

Technical features

Brand	BTicino
Standard reference	CEI EN 61439-6
Rated voltage	1000Va.c.
Rated current	800A
Protection index	IP55
Series	SCP

Documentation

 [Busbar catalogue](#)