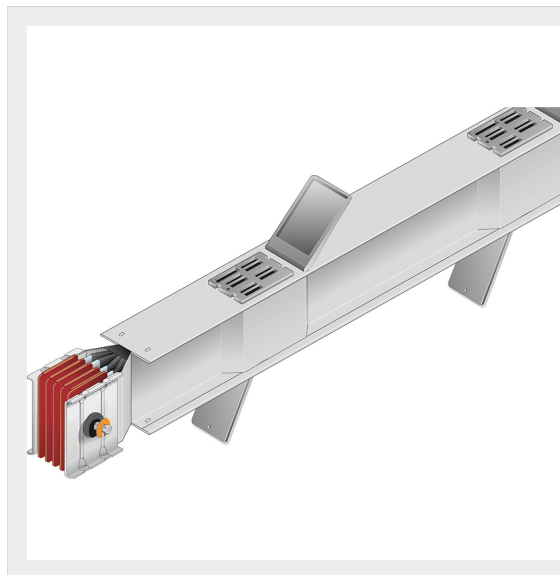


BTICINO > ZUCCHINI busbar > High power busbar > SCP Supercompact > Straight distribution elements

**60280984P**Straight element for energy distribution SCP AI - length 2-2,5m -
In= 1250A

Technical features

Brand	BTicino
Standard reference	CEI EN 61439-6
Rated voltage	1000Vac
Rated current	1250A
Protection index	IP55
Length	2-2.5m
N° of compartments	2+2
Series	SCP

Documentation

 [Busbar catalogue](#)