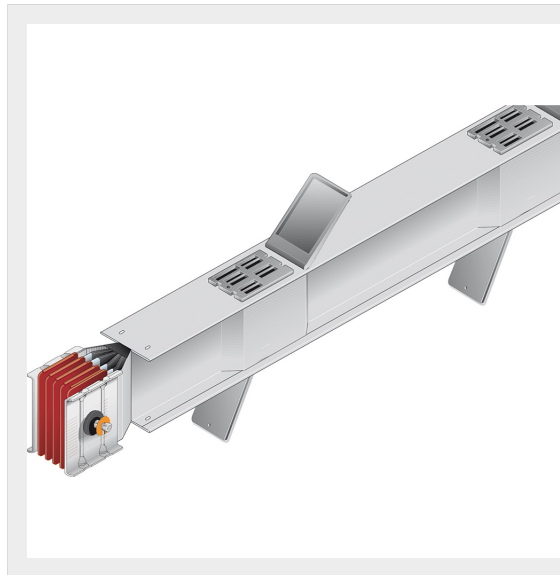


BTICINO &gt; ZUCCHINI busbar &gt; High power busbar &gt; SCP Supercompact &gt; Straight distribution elements



## 60280980P

Straight element for energy distribution SCP AI - length 2-2,5m -  
In= 630A

### Technical features

Brand	BTicino
Standard reference	CEI EN 61439-6
Rated voltage	1000Va.c.
Rated current	630A
Protection index	IP55
Length	2-2.5m
N° of compartments	2+2
Series	SCP

### Documentation

 [Busbar catalogue](#)