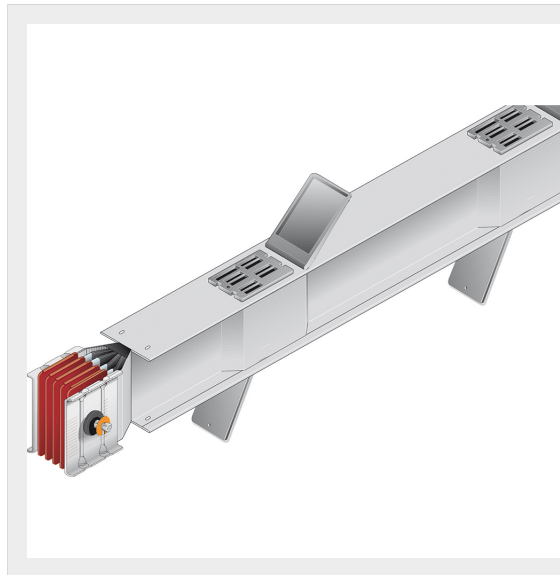



BTICINO &gt; ZUCCHINI busbar &gt; High power busbar &gt; SCP Supercompact &gt; Straight distribution elements

**60280957P**Straight element for energy distribution SCP AI - length 2,5-3m -  
In= 2000A

## Technical features

Brand	BTicino
Standard reference	CEI EN 61439-6
Rated voltage	1000Vac
Rated current	2000A
Protection index	IP55
Length	2.5-3m
N° of compartments	2+2
Series	SCP

## Documentation

 [Busbar catalogue](#)