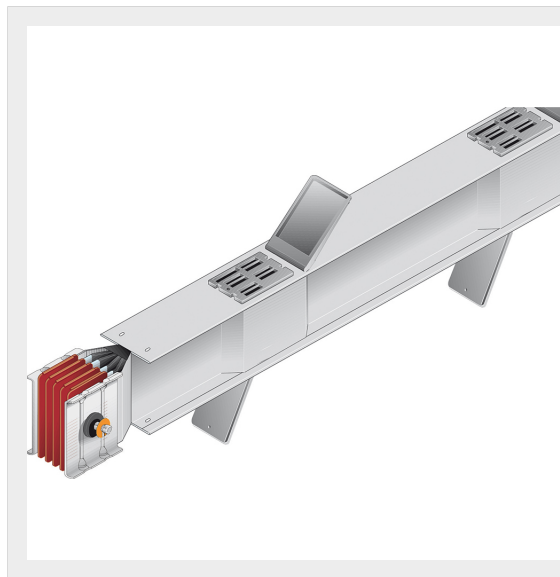


BTICINO > ZUCCHINI busbar > High power busbar > SCP Supercompact > Straight distribution elements

**60280927P**

Straight element for energy distribution SCP AI - length 1,5-2m - In= 2000A

Technical features

Brand	BTicino
Standard reference	CEI EN 61439-6
Rated voltage	1000V
Rated current	2000A
Protection index	IP55
Length	1.5-2m
N° of compartments	2+2
Series	SCP

Documentation

 [Busbar catalogue](#)