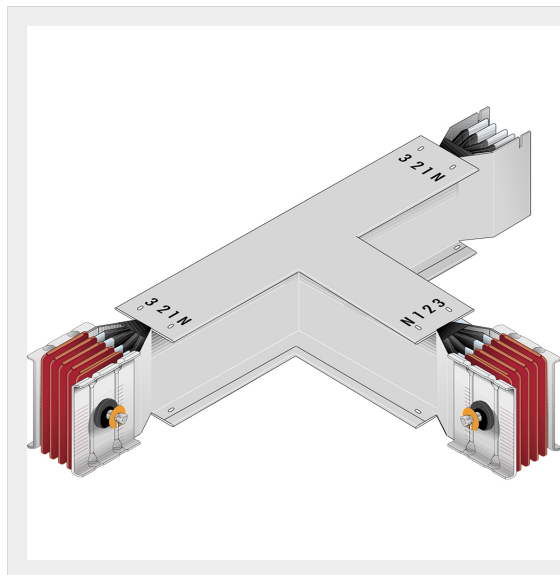


BTICINO > ZUCCHINI busbar > High power busbar > SCP Supercompact > Horizontal T-elements

**60280722P**

Horizontal T element SCP - Type 3 Al - In= 1000A

Technical features

Brand	BTicino
Standard reference	CEI EN 61439-6
Rated voltage	1000Va.c.
Rated current	1000A
Protection index	IP55
Series	SCP

Documentation

 [Busbar catalogue](#)