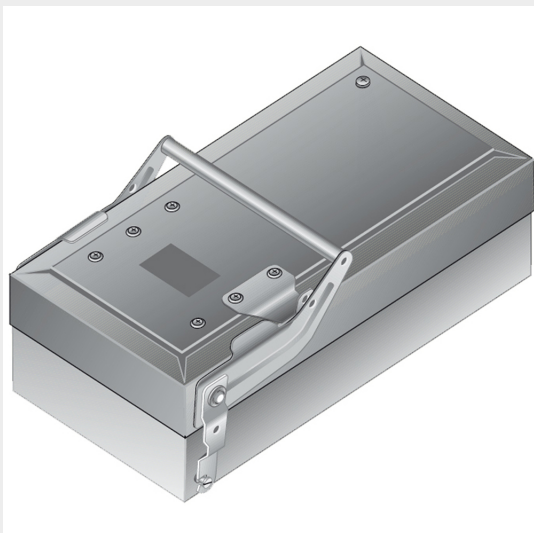


BTICINO > ZUCCHINI busbar > Medium power busbar > MR Medium Rating > Junctions




**55655059**

Empty tap-off box for MR for circuit breakers - In=400A - IP55

Technical features

Brand	BTicino
Standard reference	CEI EN 61439-6
Rated voltage	1000V
Rated current	400A
Protection index	IP55
Series	MR

Documentation

-  [Instruction sheet](#)
-  [Instruction Sheet](#)
-  [Busbar catalogue](#)