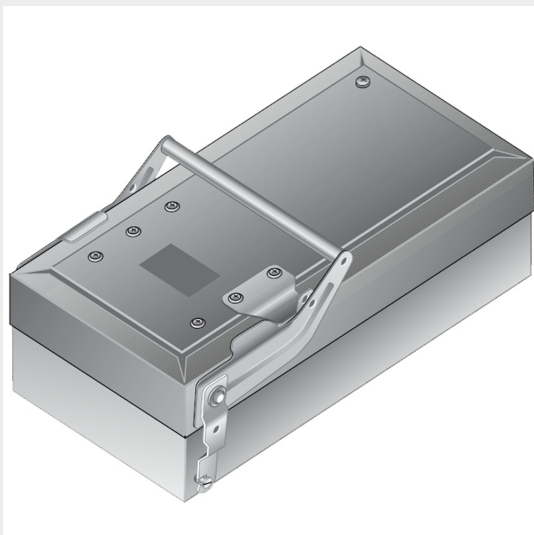


BTICINO > ZUCCHINI busbar > Medium power busbar > MR Medium Rating > Junctions




**55655057**

Plastic tap-off box for MR with fuse carrier base NH1 - In=250A - IP55

Technical features

Brand	BTicino
Standard reference	CEI EN 61439-6
Rated voltage	1000Vac
Rated current	250A
Protection index	IP55
Series	MR

Documentation

 [Instruction sheet](#) [Instruction Sheet](#) [Busbar catalogue](#)