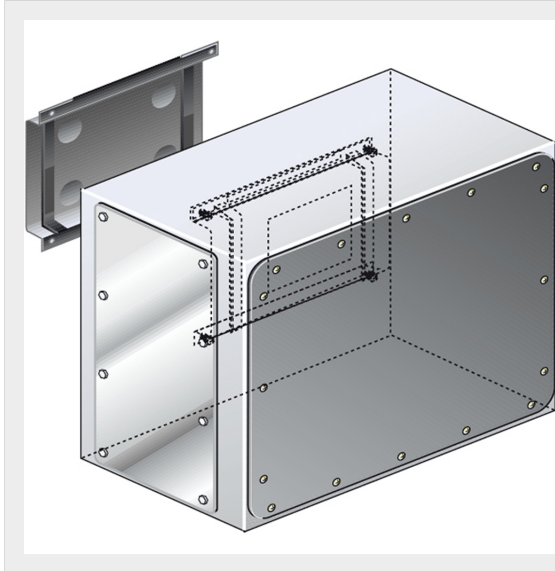


BTICINO &gt; ZUCCHINI busbar &gt; Medium power busbar &gt; MR Medium Rating &gt; Copper Feed units



**55401205**

Intermediate feed unit for busbar Cu MR630 - In=630A - IP55

## Technical features

Brand	BTicino
Standard reference	CEI EN 61439-6
Rated voltage	1000Vac
Rated current	630A
Protection index	IP55
Series	MR

## Documentation

 [Instruction Sheet](#) [Busbar catalogue](#)

## Related products



**55400105**

Straight element MR630  
Cu with 3+3 outlets for  
side - In=630A - IP52 -  
length 3m



**55400125**

Straight element MR630  
Cu without outlets -  
In=630A - IP52 - length  
1-1.5m



**55400155**

Straight element MR630  
Cu with 2+2 outlets for  
side - In=630A - IP52 -  
length 1.5-3m



**55400115**

Straight element MR630  
Cu without outlets -  
In=630A - IP52 - length  
0.6-1m



**55400145**

Straight element MR630  
Cu with 1+1 outlets for  
side - In=630A - IP52 -  
length 1-1.5m



**55400245**

Straight element MR630  
Cu without outlets -  
In=630A - IP52 - length  
3m



**55400255**

Straight element MR630  
Cu with 5 outlets on one  
side only - In=630A -  
IP52 - length 3m