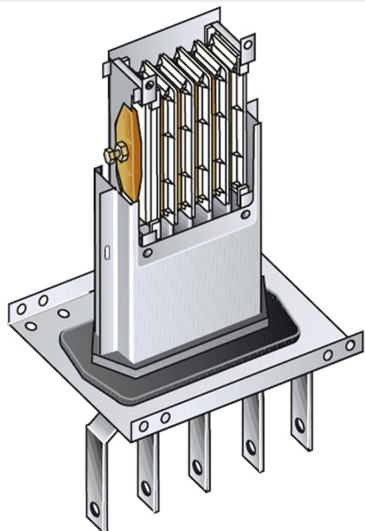





BTICINO &gt; ZUCCHINI busbar &gt; Medium power busbar &gt; MR Medium Rating &gt; Copper Feed units

**55401017**Left feed unit from cabinet to transformers for busbar in Cu  
MR1000 - In=1000A - IP55

## Technical features

Brand	BTicino
Standard reference	CEI EN 61439-6
Rated voltage	1000Vac
Rated current	1000A
Protection index	IP55
Series	MR

## Documentation

-  [Installation manual](#)
-  [Instruction Sheet](#)
-  [Busbar catalogue](#)

## Related products



**55400107**

Straight element  
MR1000 Cu with 3+3  
outlets for side -  
In=1000A - IP52 - length  
3m



**55400127**

Straight element  
MR1000 Cu without  
outlets - In=1000A -  
IP52 - length 1-1.5m



**55400157**

Straight element  
MR1000 Cu with 2+2  
outlets for side -  
In=1000A - IP52 - length  
1.5-3m



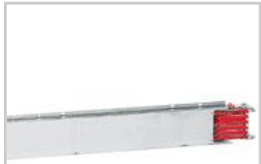
**55400117**

Straight element  
MR1000 Cu without  
outlets - In=1000A -  
IP52 - length 0.6-1m



**55400147**

Straight element  
MR1000 Cu with 1+1  
outlets for side -  
In=1000A - IP52 - length  
1-1.5m



**55400247**

Straight element  
MR1000 Cu without  
outlets - In=1000A -  
IP52 - length 3m



**55400257**

Straight element  
MR1000 Cu with 5  
outlets on one side only  
- In=1000A - IP52 -  
length 3m