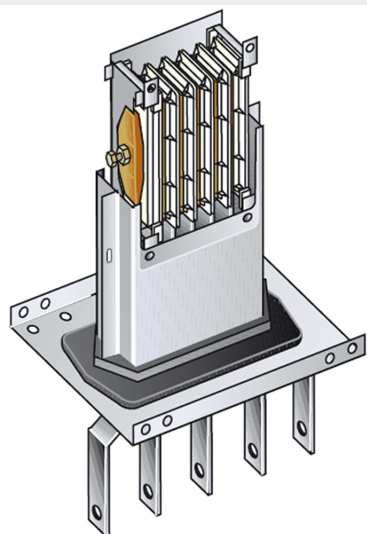





BTICINO &gt; ZUCCHINI busbar &gt; Medium power busbar &gt; MR Medium Rating &gt; Copper Feed units

**55401016**Left feed unit from cabinet to transformers for busbar in Cu  
MR800 - In=800A - IP55

## Technical features

Brand	BTicino
Standard reference	CEI EN 61439-6
Rated voltage	1000Vac
Rated current	800A
Protection index	IP55
Series	MR

## Documentation

-  [Installation manual](#)
-  [Instruction Sheet](#)
-  [Environment. Product Declaration](#)

## Related products

