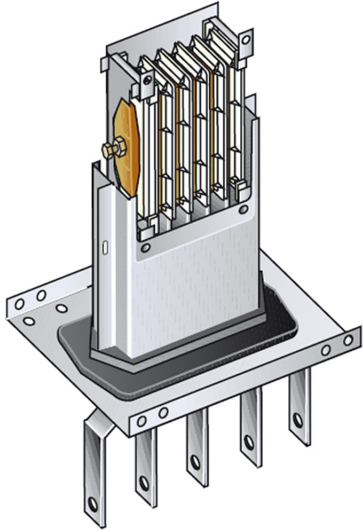




BTICINO > ZUCCHINI busbar > MR Medium Rating > Copper Feed units




55401015


Left feed unit from cabinet to transformers for busbar in Cu
MR630 - In=630A - IP55

Technical features

Protection index	IP55
Standard reference	CEI EN 61439-6
Rated voltage	1000V
Rated current	630A
Series	MR

Documentation

 [Instructions Sheet](#)

 [Busbar catalogue](#)

Related products



55400125

Straight element MR630
Cu without outlets -
In=630A - IP52 - length
1-1.5m



55400155

Straight element MR630
Cu with 2+2 outlets for
side - In=630A - IP52 -
length 1.5-3m



55400115

Straight element MR630
Cu without outlets -
In=630A - IP52 - length
0.6-1m



55400145

Straight element MR630
Cu with 1+1 outlets for
side - In=630A - IP52 -
length 1-1.5m



55400245

Straight element MR630
Cu without outlets -
In=630A - IP52 - length
3m



55400255

Straight element MR630
Cu with 5 outlets on one
side only - In=630A -
IP52 - length 3m



55400105

Straight element MR630
Cu with 3+3 outlets for
side - In=630A - IP52 -
length 3m