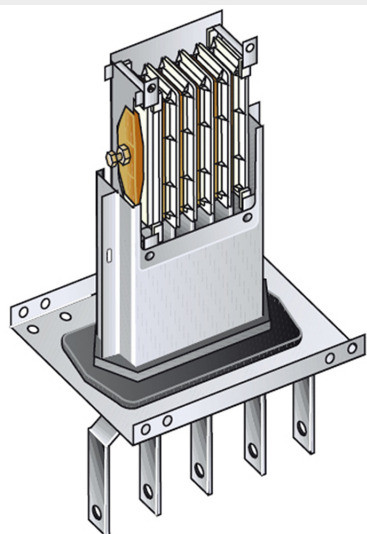


BTICINO > ZUCCHINI busbar > Medium power busbar > MR Medium Rating > Copper Feed units



55401012


Left feed unit from cabinet to transformers for busbar in Cu
MR250 - In=250A - IP55

Technical features

Brand	BTicino
Standard reference	CEI EN 61439-6
Rated voltage	1000Vac
Rated current	250A
Protection index	IP55
Series	MR

Documentation

 [Installation manual](#)

 [Instruction Sheet](#)

Related products

