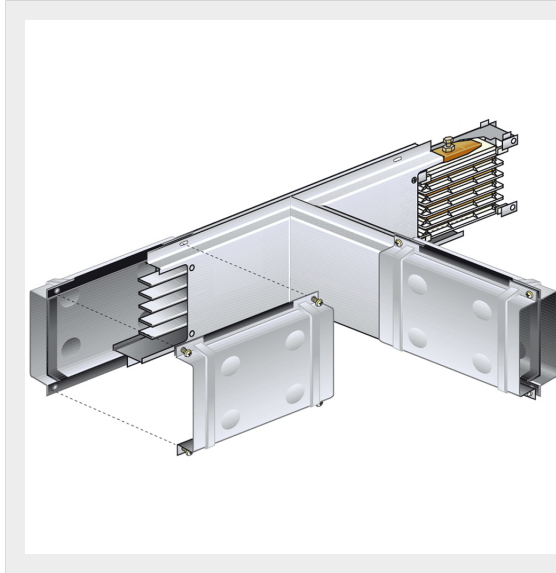




BTICINO > ZUCCHINI busbar > MR Medium Rating > T and cross elements



55400737

Horizontal standard T elements for busbar MR Cu - In=1000A

Technical features

Protection index	IP55
Width	300mm
Length	300mm
Depth	300mm
Standard reference	CEI EN 61439-6
Rated current	1000A
Series	MR

Documentation

 [Instructions Sheet](#)

 [Busbar catalogue](#)