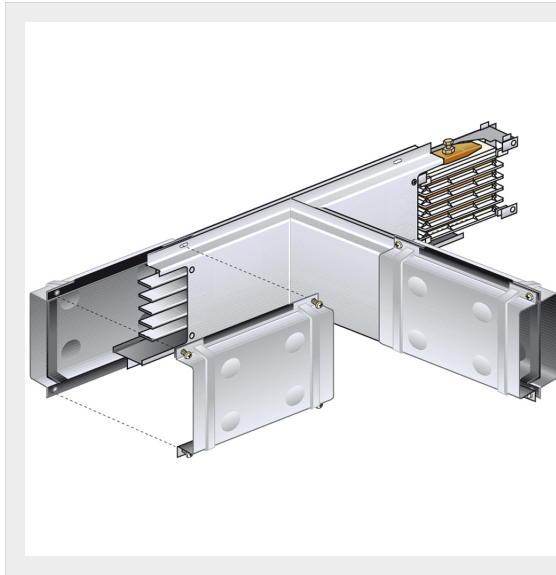


BTICINO > ZUCCHINI busbar > Medium power busbar > MR Medium Rating > T and cross elements





55400734

Horizontal standard T elements for busbar MR Cu - In=400A

Technical features

Brand	BTicino
Standard reference	CEI EN 61439-6
Rated current	400A
Protection index	IP55
Width	300mm
Length	300mm
Depth	300mm
Series	MR

Documentation

 [Installation manual](#) [Busbar catalogue](#)