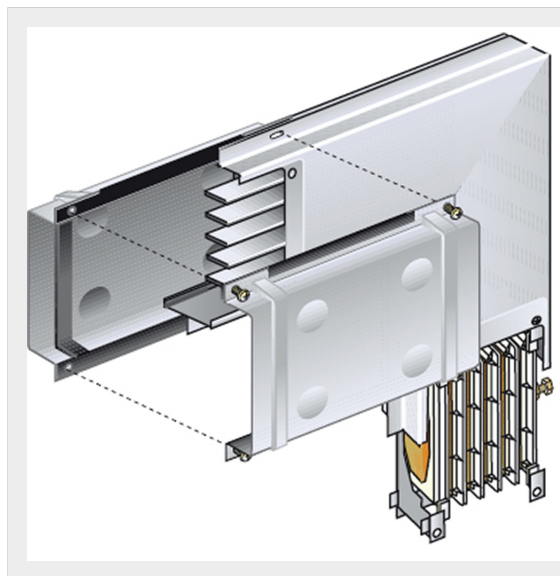


BTICINO &gt; ZUCCHINI busbar &gt; Medium power busbar &gt; MR Medium Rating &gt; Vertical elbows copper


**55400417**

Vertical elbow (left) in Cu for MR1000 - In=1000A - IP55

## Technical features

Brand	BTicino
Standard reference	CEI EN 61439-6
Rated voltage	1000Vac
Rated current	1000A
Protection index	IP55
Series	MR

## Documentation

 [Installation manual](#) [Instruction Sheet](#)

## Related products

