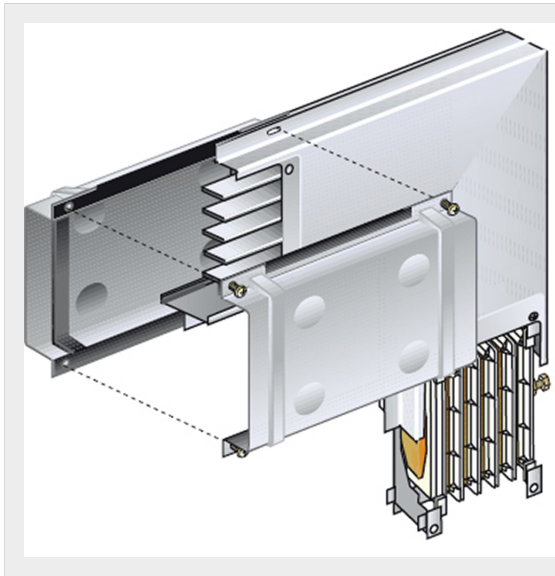


BTICINO > ZUCCHINI busbar > Medium power busbar > MR Medium Rating > Vertical elbows copper




**55400415**

Vertical elbow (left) in Cu for MR630 - In=630A - IP55

Technical features

Brand	BTicino
Standard reference	CEI EN 61439-6
Rated voltage	1000Vac
Rated current	630A
Protection index	IP55
Series	MR

Documentation

-  [Installation manual](#)
-  [Instruction Sheet](#)
-  [Environment. Product Declaration](#)

Related products

