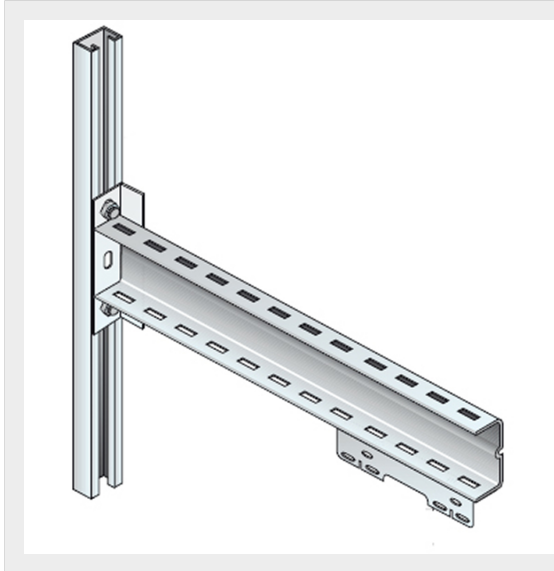


BTICINO > ZUCCHINI busbar > Medium power busbar > MR Medium Rating > Fastening elements





50632212

Wall bracket for busbar MR e TS - length 45cm - weight max 80kg

Technical features

Brand	BTicino
Standard reference	CEI EN 61439-6
Protection index	IP55
Length	45cm
Series	MR

Documentation

 [Instruction Sheet](#) [Busbar catalogue](#)