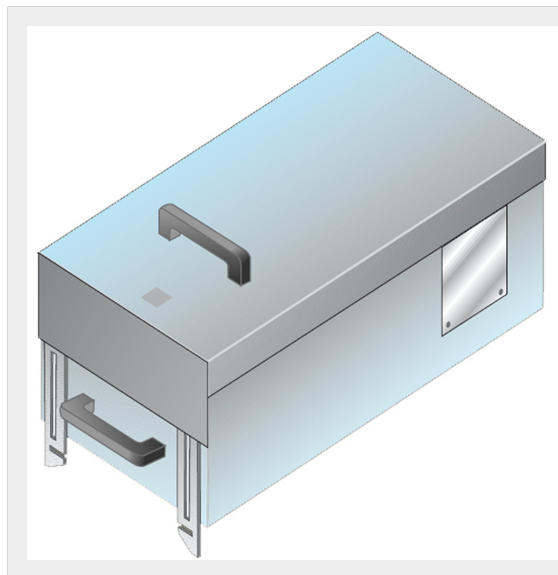


BTICINO > ZUCCHINI busbar > Medium power busbar > MR Medium Rating > Junctions

**50411623**

Tap-off box for MR with disconnecter switch AC23 and fuse carrier base NH0 - In=160A - IP55

Technical features

Brand	BTicino
Standard reference	CEI EN 61439-6
Rated voltage	1000V
Rated current	160A
Protection index	IP55
Series	MR

Documentation

 [Instruction Sheet](#) [Busbar catalogue](#)