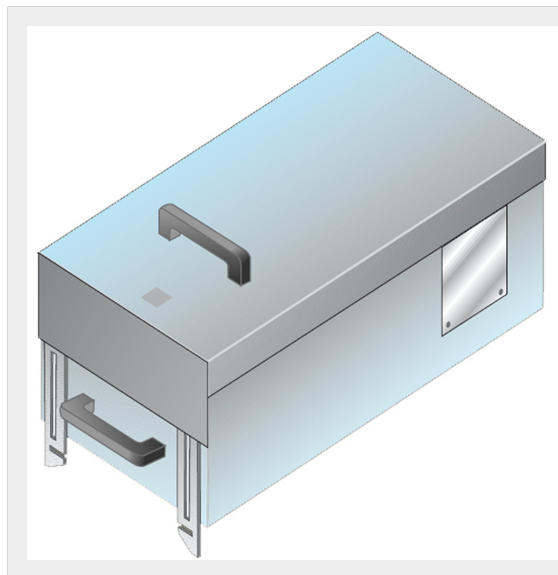


BTICINO > ZUCCHINI busbar > Medium power busbar > MR Medium Rating > Junctions

**50411622**

Tap-off box for MR with disconnecter switch AC23 and fuse carrier base NH00 - In=125A - IP55

Technical features

Brand	BTicino
Standard reference	CEI EN 61439-6
Rated voltage	1000Vac
Rated current	125A
Protection index	IP55
Series	MR

Documentation

 [Instruction Sheet](#) [Busbar catalogue](#)