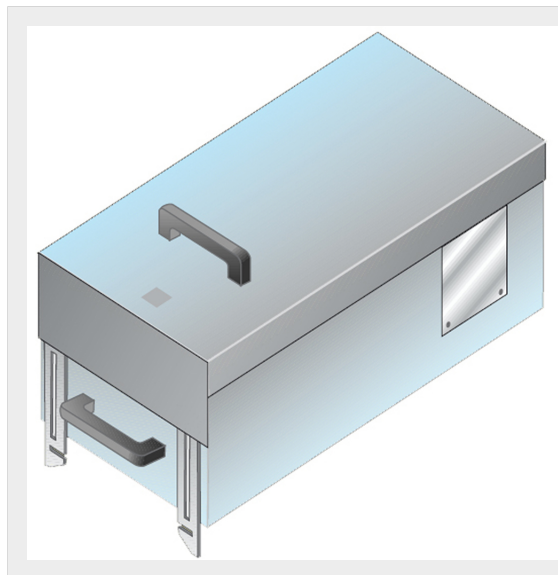




BTICINO > ZUCCHINI busbar > MR Medium Rating > Junctions




50411601


Tap-off box for MR with disconnecter switch AC23 and fuse carrier base NH00 - In=63A - IP55

Technical features

Protection index	IP55
Standard reference	CEI EN 61439-6
Rated voltage	1000V
Rated current	63A
Series	MR

Documentation

 [Instructions Sheet](#)

 [Busbar catalogue](#)