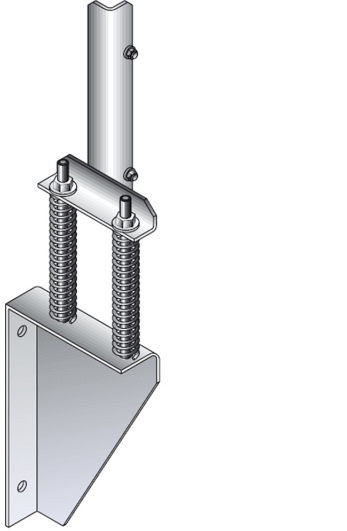




BTICINO > ZUCCHINI busbar > MR Medium Rating > Fastening elements



50403712

Suspension bracket with ties for MR in vertical - weight max 300kg

Technical features

Protection index	IP55
Standard reference	CEI EN 61439-6
Rated voltage	1000V
Series	MR

Documentation

[Instructions Sheet](#)

[Instructions Sheet](#)

[Busbar catalogue](#)