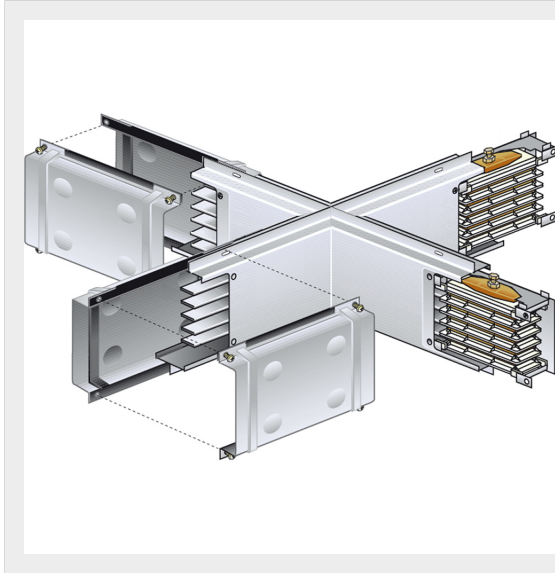




BTICINO &gt; ZUCCHINI busbar &gt; MR Medium Rating &gt; T and cross elements




50403007


Cross element for busbar MR AI - In=1000A - IP55

## Technical features

Protection index	IP55
Standard reference	CEI EN 61439-6
Rated voltage	1000V
Rated current	1000A
Series	MR

## Documentation

 [Instructions Sheet](#)

 [Busbar catalogue](#)

## Related products



**50400257**

Straight element  
MR1000 AI with 5 outlets  
on one side only -  
In=800A - IP52 - length  
3



**50400107**

Straight element  
MR1000 AI with 3+3  
outlets for side -  
In=800A - IP52 - length  
3m



**50400127**

Straight element  
MR1000 AI without  
outlets - In=800A - IP52  
- length 1-1.5m



**50400157**

Straight element  
MR1000 AI with 2+2  
outlets for side -  
In=800A - IP52 - length  
1.5-3m



**50400117**

Straight element  
MR1000 AI without  
outlets - In=800A - IP52  
- length 0.6-1m



**50400147**

Straight element  
MR1000 AI with 1+1  
outlets for side -  
In=800A - IP52 - length  
1-1.5m



**50400247**

Straight element  
MR1000 AI without  
outlets - In=800A - IP52  
- length 3m