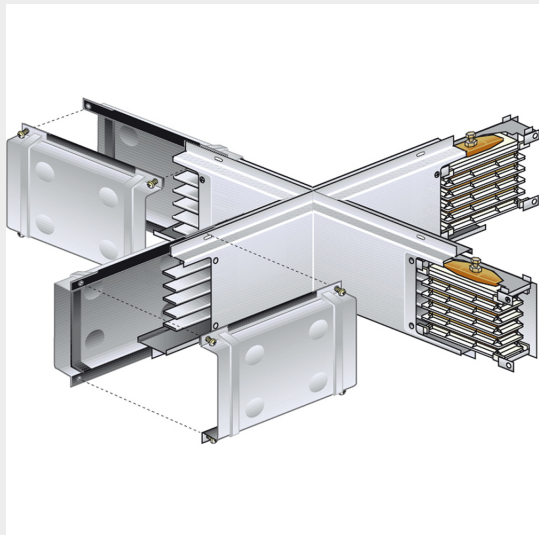


BTICINO > ZUCCHINI busbar > Medium power busbar > MR Medium Rating > T and cross elements


**50403005**

Cross element for busbar MR AI - In=630A - IP55

Technical features

Brand	BTicino
Standard reference	CEI EN 61439-6
Rated voltage	1000Vac
Rated current	630A
Protection index	IP55
Series	MR

Documentation

 [Installation manual](#) [Busbar catalogue](#)

Related products



50400105

Straight element MR630
AI with 3+3 outlets for
side - In=630A - IP52 -
length 3m



50400125

Straight element MR630
AI without outlets -
In=630A - IP52 - length
1-1.5m



50400155

Straight element MR630
AI with 2+2 outlets for
side - In=630A - IP52 -
length 1.5-3m



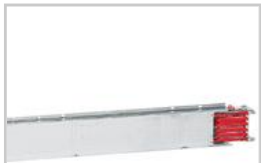
50400115

Straight element MR630
AI without outlets -
In=630A - IP52 - length
0.6-1m



50400145

Straight element MR630
AI with 1+1 outlets for
side - In=630A - IP52 -
length 1-1.5m



50400245

Straight element MR630
AI without outlets -
In=630A - IP52 - length
3m



50400255

Straight element MR630
AI with 5 outlets on one
side only - In=630A -
IP52 - length 3m