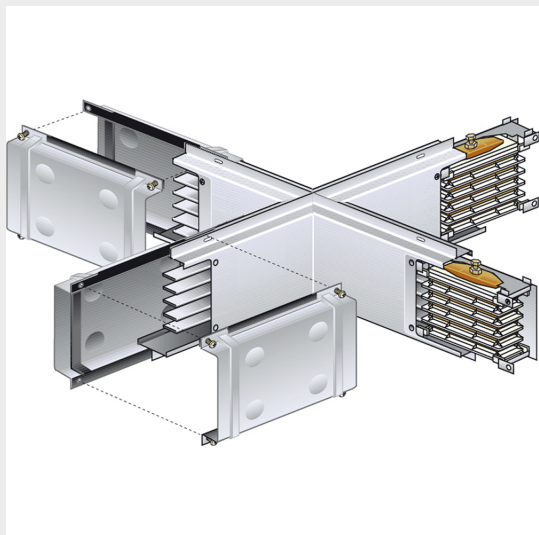


BTICINO &gt; ZUCCHINI busbar &gt; Medium power busbar &gt; MR Medium Rating &gt; T and cross elements


**50403001**

Cross element for busbar MR AI - In=160A - IP55

## Technical features

Brand	BTicino
Standard reference	CEI EN 61439-6
Rated voltage	1000Vac
Rated current	160A
Protection index	IP55
Series	MR

## Documentation

 [Installation manual](#) [Busbar catalogue](#)

## Related products



50400251

Straight element MR160  
AI with 5 outlets on one  
side only - In=160A -  
IP52 - length 3m



50400101

Straight element MR160  
AI with 3+3 outlets for  
side - In=160A - IP52 -  
length 3m



50400121

Straight element MR160  
AI without outlets -  
In=160A - IP52 - length  
1-1.5m



50400151

Straight element MR160  
AI with 2+2 outlets for  
side - In=160A - IP52 -  
length 1.5-3m



50400111

Straight element MR160  
AI without outlets -  
In=160A - IP52 - length  
0.6-1m



50400141

Straight element MR160  
AI with 1+1 outlets for  
side - In=160A - IP52 -  
length 1-1.5m



50400241

Straight element MR160  
AI without outlets -  
In=160A - IP52 - length  
3m